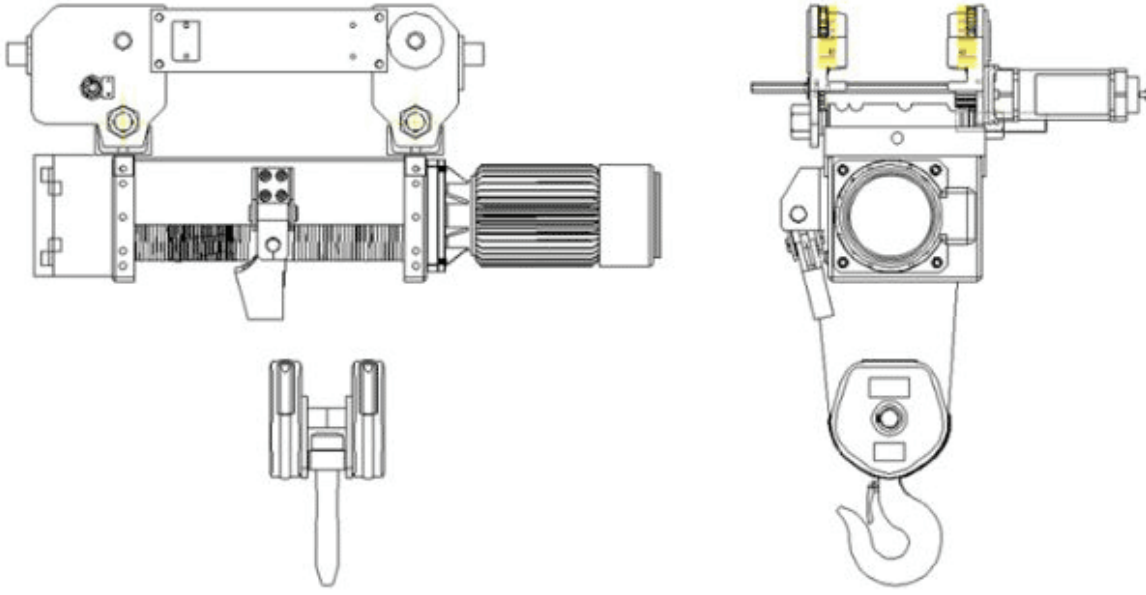


## MONO-RAIL TYPE: Rope Falls: 4/1



© Lifting speed, traversing speed are based on a power supply frequency of 50HZ  
 © Standard Voltage: 380V, 415V  
 © Standard FEM level of Lifting Motor is 40%ED + 60%ED can be done by requests.  
 © Inventor Control can be installed to all model by requests. Inventor Control is more suggested for the hoists over 25 Tons.

Capacity Ton	No. of Rope Falls F/R	Lift Height M	Lifting Speed (m/min)		Traversing Speed		Model	
			Single Speed	Double Speed	Single Speed	Double Speed	Single Speed	Double Speed
2	4/1	8.5	4	4/1.33	21	21/7	L02CA04015V211	L02CA04035V213
		8.5	6	6/2			L02CA06015V211	L02CA06035V213
		11.7	4	4/1.33			L02CB04015V211	L02CB04035V213
		11.7	6	6/2			L02CB06015V211	L02CB06035V213
		15.0	4	4/1.33			L02CC04015V211	L02CC04035V213
		15.0	6	6/2			L02CC06015V211	L02CC06035V213
3	4/1	6.5	4	4/1.33	21	21/7	L03CA04015V211	L03CA04035V213
		6.5	6	6/2			L03CA06015V211	L03CA06035V213
		9.0	4	4/1.33			L03CB04015V211	L03CB04035V213
		9.0	6	6/2			L03CB06015V211	L03CB06035V213
		11.5	4	4/1.33			L03CC04015V211	L03CC04035V213
		11.5	6	6/2			L03CC06015V211	L03CC06035V213
		14.5	4	4/1.33			L03CD04015V211	L03CD04035V213
		14.5	6	6/2			L03CD06015V211	L03CD06035V213
5	4/1	7.0	4	4/1.33	21	21/7	L05CB04015V211	L05CB04035V213
		7.0	6	6/2			L05CB06015V211	L05CB06035V213
		9.0	4	4/1.33			L05CC04015V211	L05CC04035V213
		9.0	6	6/2			L05CC06015V211	L05CC06035V213
		11.5	4	4/1.33			L05CD04015V211	L05CD04035V213
		11.5	6	6/2			L05CD06015V211	L05CD06035V213
		15.0	4	4/1.33			L05CB04015V211	L05CB04035V213
		15.0	6	6/2			L05CB06015V211	L05CB06035V213
8	4/1	6.0	3	3/1	18	18/6	L08CB03015V181	L08CB03035V183
		6.0	4	4/1.33			L08CB04015V181	L08CB04035V183
		8.0	3	3/1			L08CC03015V181	L08CC03035V183
		8.0	4	4/1.33			L08CC04015V181	L08CC04035V183
		10.0	3	3/1			L08CD03015V181	L08CD03035V183
		10.0	4	4/1.33			L08CD04015V181	L08CD04035V183
		13.5	3	3/1			L08CB03015V181	L08CB03035V183
		13.5	4	4/1.33			L08CB04015V181	L08CB04035V183
10	4/1	6.0	3	3/1	18	18/6	L10CB03015V181	L10CB03035V183
		6.0	4	4/1.33			L10CB04015V181	L10CB04035V183
		6.0	6	-			L10CB06015V181	-
		8.0	3	3/1			L10CC03015V181	L10CC03035V183
		8.0	4	4/1.33			L10CC04015V181	L10CC04035V183
		8.0	6	-			L10CC06015V181	-
		10.0	3	3/1			L10CD03015V181	L10CD03035V183
		10.0	4	4/1.33			L10CD04015V181	L10CD04035V183
		10.0	6	-			L10CD06015V181	-
		13.5	3	3/1			L10CB03015V181	L10CB03035V183
		13.5	4	4/1.33			L10CB04015V181	L10CB04035V183
		13.5	6	-			L10CB06015V181	-

## MONO-RAIL TYPE: Rope Falls: 4/2

Capacity Ton	No. of Rope Falls F/R	Lift Height M	Lifting Speed (m/min)		Traversing Speed		Model	
			Single Speed	Double Speed	Single Speed	Double Speed	Single Speed	Double Speed
3	4/2	6.9	4	4/1.33	21	21/7	L03BB04015V211	L03BB04035V213
		6.9	6	6/2			L03BB06015V211	L03BB06035V213
		9.4	4	4/1.33			L03BC04015V211	L03BC04035V213
		9.4	6	6/2			L03BC06015V211	L03BC06035V213
		12.8	4	4/1.33			L03BD04015V211	L03BD04035V213
		12.8	6	6/2			L03BD06015V211	L03BD06035V213
5	4/2	7.0	4	4/1.33	21	21/7	L05BB04015V211	L05BB04035V213
		7.0	6	6/2			L05BB06015V211	L05BB06035V213
		9.5	4	4/1.33			L05BC04015V211	L05BC04035V213
		9.5	6	6/2			L05BC06015V211	L05BC06035V213
		13.0	4	4/1.33			L05BD04015V211	L05BD04035V213
		13.0	6	6/2			L05BD06015V211	L05BD06035V213
8	4/2	5.0	4	4/1.33	18	18/6	L08BB04015V181	L08BB04035V183
		7.5	4	4/1.33			L08BC04015V181	L08BC04035V183
		10.5	4	4/1.33			L08BD04015V181	L08BD04035V183
		15.5	4	4/1.33			L08BB04015V181	L08BB04035V183
10	4/2	5.0	4	4/1.33	18	18/6	L10BB04015V181	L10BB04035V183
		7.5	4	4/1.33			L10BC04015V181	L10BC04035V183
		10.5	4	4/1.33			L10BD04015V181	L10BD04035V183
		15.5	4	4/1.33			L10BB04015V181	L10BB04035V183

## MONO-RAIL TYPE: Rope Falls: 2/1

Capacity Ton	No. of Rope Falls F/R	Lift Height M	Lifting Speed (m/min)		Traversing Speed		Model	
			Single Speed	Double Speed	Single Speed	Double Speed	Single Speed	Double Speed
1	2/1	17.4	6	6/2	21	21/7	L01AA06015V211	L01AA06035V213
		22.7	6	6/2			L01AB06015V211	L01AB06035V213
		9.9	6	6/2			L02AA06015V211	L02AA06035V213
2	2/1	13.2	6	6/2	21	21/7	L02AB06015V211	L02AB06035V213
		16.4	6	6/2			L02AC06015V211	L02AC06035V213
		8.2	4	4/1.33			L03AA04015V211	L03AA04035V213
3	2/1	8.2	6	6/2	21	21/7	L03AA06015V211	L03AA06035V213
		11.0	4	4/1.33			L03AB04015V211	L03AB04035V213
		11.0	6	6/2			L03AB06015V211	L03AB06035V213
		13.8	4	4/1.33			L03AC04015V211	L03AC04035V213
		13.8	6	6/2			L03AC06015V211	L03AC06035V213
		8.2	4	4/1.33			L05AA04015V211	L05AA04035V213
5	2/1	8.2	6	6/2	21	21/7	L05AA06015V211	L05AA06035V213
		11.8	4	4/1.33			L05AB04015V211	L05AB04035V213
		11.8	6	6/2			L05AB06015V211	L05AB06035V213
		15.5	4	4/1.33			L05AC04015V211	L05AC04035V213
		15.5	6	6/2			L05AC06015V211	L05AC06035V213